

SERIE 410 Bandella snodata 4 snodi occhio centrale H=38



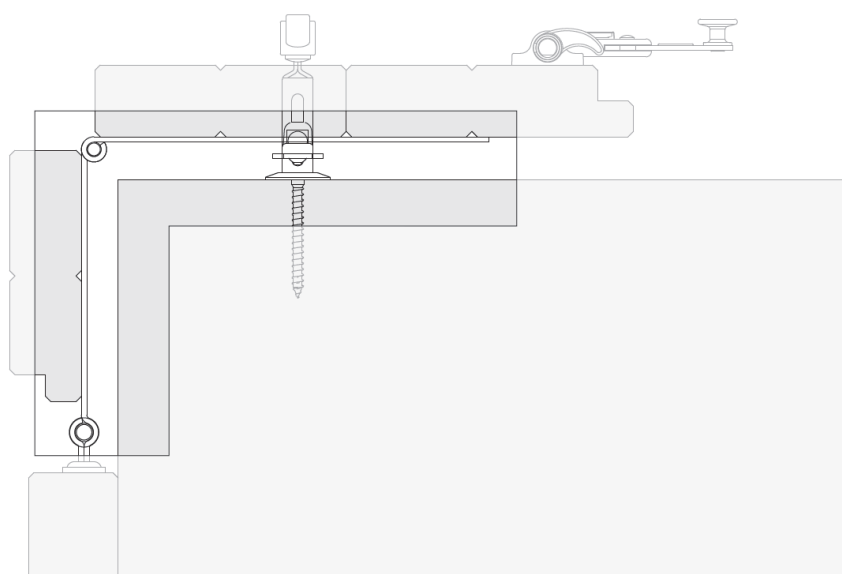
Articolo	Codice	L1+L2	HxSp	D	n°;L1	n°;L2	P	X	S	Y	A	Pcks
0-410-05	B410G005A502	120 + 240	38 x 3	Ø10	2	3	40	50	30	95	20	24
0-410-07	B410G007A502	130 + 230	38 x 3	Ø10	2	3	40	60	30	90	20	24
0-410-10	B410G003A502	140 + 220	38 x 3	Ø10	3	3	40	35	30	85	20	24
0-410-12	B410G001A502	150 + 210	38 x 3	Ø10	3	3	40	40	30	80	20	24
0-410-15	B410G004A502	160 + 200	38 x 3	Ø10	3	3	40	45	30	75	20	24
0-410-20	B410G002A502	180 + 180	38 x 3	Ø10	3	3	40	55	30	65	20	24
0-410-25	B410G006A502	200 + 160	38 x 3	Ø10	3	3	40	65	30	55	20	24



Articolo	Codice	L1+L2	HxSp	D	n°;L1	n°;L2	P	X	S	Y	A	Pcks
4-410-05	B410G005E502	120 + 240	38 x 3	Ø10	2	3	40	50	30	95	20	24
4-410-07	B410G007E502	130 + 230	38 x 3	Ø10	2	3	40	60	30	90	20	24
4-410-10	B410G003E502	140 + 220	38 x 3	Ø10	3	3	40	35	30	85	20	24
4-410-12	B410G001E502	150 + 210	38 x 3	Ø10	3	3	40	40	30	80	20	24
4-410-15	B410G004E502	160 + 200	38 x 3	Ø10	3	3	40	45	30	75	20	24
4-410-20	B410G002E502	180 + 180	38 x 3	Ø10	3	3	40	55	30	65	20	24
4-410-25	B410G006E502	200 + 160	38 x 3	Ø10	3	3	40	65	30	55	20	24



Articolo	Codice	L1+L2	HxSp	D	n°;L1	n°;L2	P	X	S	Y	A	Pcks
5-410-05	B410G005F502	120 + 240	38 x 3	Ø10	2	3	40	50	30	95	20	24
5-410-07	B410G007F502	130 + 230	38 x 3	Ø10	2	3	40	60	30	90	20	24
5-410-10	B410G003F502	140 + 220	38 x 3	Ø10	3	3	40	35	30	85	20	24
5-410-12	B410G001F502	150 + 210	38 x 3	Ø10	3	3	40	40	30	80	20	24
5-410-15	B410G004F502	160 + 200	38 x 3	Ø10	3	3	40	45	30	75	20	24
5-410-20	B410G002F502	180 + 180	38 x 3	Ø10	3	3	40	55	30	65	20	24
5-410-25	B410G006F502	200 + 160	38 x 3	Ø10	3	3	40	65	30	55	20	24



Materiale:



Finitura:



Su richiesta:



Categoria Commerciale: B0